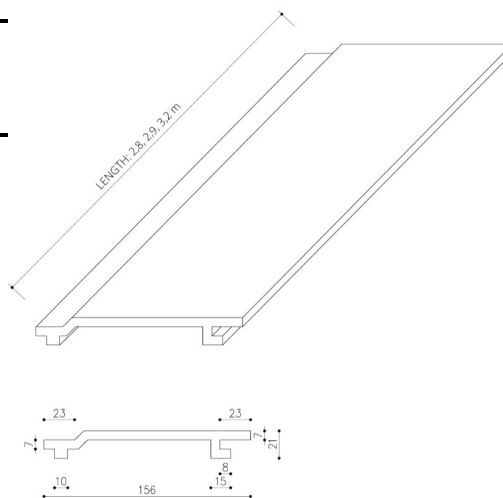


Premium Cladding Board

Composition:	<ul style="list-style-type: none"> • 55% – wood flour • 35% – high-density polyethylene (HDPE) • 10% – anti-UV additives, stabilizers, colourants
Dimensions:	<ul style="list-style-type: none"> • thickness – 21 mm ($\pm 0,5$ mm) • width – 156 mm ($\pm 1,0$ mm) • length – 2,8-3,6 m ($\pm 5,0$ mm) • weight – 1,65 kg/rm (-5%/+10%)
Properties:	<ul style="list-style-type: none"> • Fire resistance class: E (according to PN-EN 13501 standard) – the ability to withstand the impact of fire from one side only without transferring the fire to the unexposed side due to the penetration of flames or hot gases. • use in temperatures -30 °C/+60 °C • low water absorption <0.7% (frost-resistant) • high resistance to UV and cracking (excluding cracks caused by shock load) • high resistance to rotting and decay resulting from the direct action of fungi and bacteria • high resistance to damage caused by the direct impact of insects • polymer coating for increased stain resistance and color
Usage:	<ul style="list-style-type: none"> • facades • wall development • garden architecture

PREMIUM CLADDING BOARD
156 mm x 21 mm



Dostępne kolory:

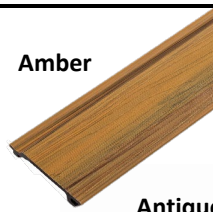
Anthracite



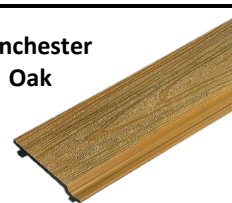
Redwood



Amber



**Winchester
Oak**



Gray



Teak



Antique



EcoTravers cladding boards should not be installed in closed, damp and unventilated rooms, as well as in places with rapid and significant temperature changes (e.g. sauna).

Before installation read the instructions on www.liderwood.com.

During the first exploitation period the composite boards age under the influence of external conditions. The color stabilizes after a few months, reaching its final saturation. EcoTravers composite products may deviate from the available descriptions and samples in terms of natural color or structure differences. The boards may be subject to slight deformation (~1.5%).

Available documents:

- Guarantee certificate
- Installation instructions
- Rules for the use and care of products
- Rules and conditions for proper storage of products
- Declaration of Conformity DZ/10/11/2022 LD
- Sanitary certificate B-BK-602110056/20 dated 12.03.2020
- Fire Resistance Tests