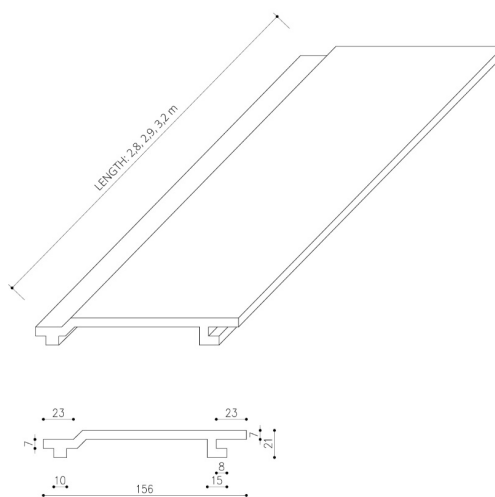


### Premium Cladding Board

<b>Composition:</b>	<ul style="list-style-type: none"> <li>• 55% – wood flour</li> <li>• 35% – high-density polyethylene (HDPE)</li> <li>• 10% – anti-UV additives, stabilizers, colourants</li> </ul>
<b>Dimensions:</b>	<ul style="list-style-type: none"> <li>• thickness – 21 mm (<math>\pm 0,5</math> mm)</li> <li>• width – 156 mm (<math>\pm 1,0</math> mm)</li> <li>• length – 2,8-3,2 m</li> <li>• weight – 1,65 kg/rm (-5%/+10%)</li> </ul>
<b>Properties:</b>	<ul style="list-style-type: none"> <li>• use in temperatures -30 °C/+60 °C</li> <li>• low water absorption &lt;0.7% (frost-resistant)</li> <li>• high resistance to UV</li> <li>• high resistance to cracking (excluding cracks caused by shock load)</li> <li>• high resistance to rotting and decay resulting from the direct action of fungi and bacteria</li> <li>• high resistance to damage caused by the direct impact of insects</li> </ul>
<b>Usage:</b>	<ul style="list-style-type: none"> <li>• facades</li> <li>• wall development</li> <li>• garden architecture</li> </ul>

PREMIUM CLADDING BOARD  
156 mm x 21 mm



#### Available colours:

Anthracite



Gray



Redwood



Teak



Amber



EcoTravers cladding boards should not be installed in closed, damp and unventilated rooms, as well as in places with rapid and significant temperature changes (e.g. sauna).

Before installation read the instructions on [www.liderwood.com](http://www.liderwood.com).

During the first exploitation period the composite boards age under the influence of external conditions. The color stabilizes after a few months, reaching its final saturation. EcoTravers composite products may deviate from the available descriptions and samples in terms of natural color or structure differences. The boards may be subject to slight deformation (~1.5%).

#### Available documents:

- Guarantee certificate
- Installation instructions
- Declaration of Conformity DZ/10/11/2022 LD
- Sanitary certificate B-BK-602110056/20 dated 12.03.2020